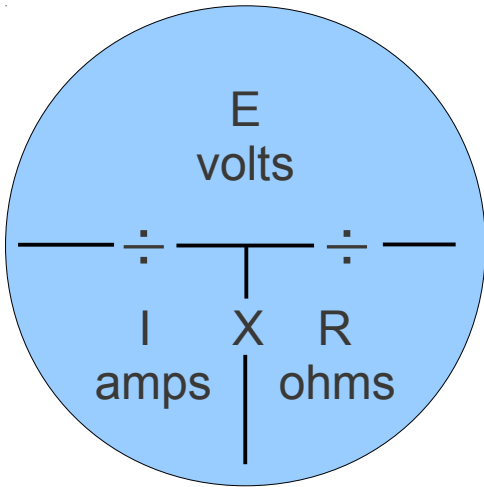
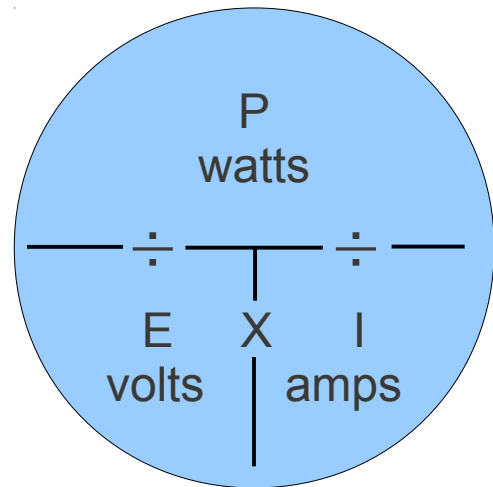


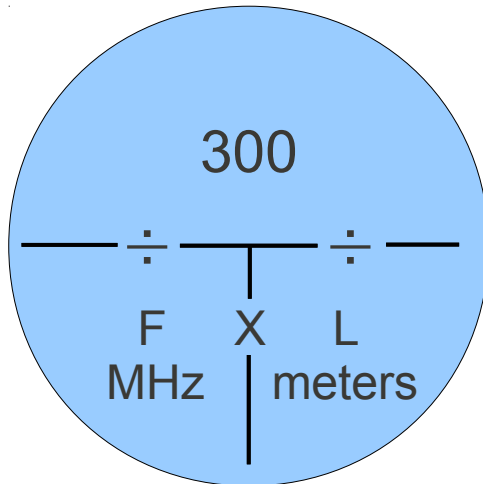
Ohm's Law



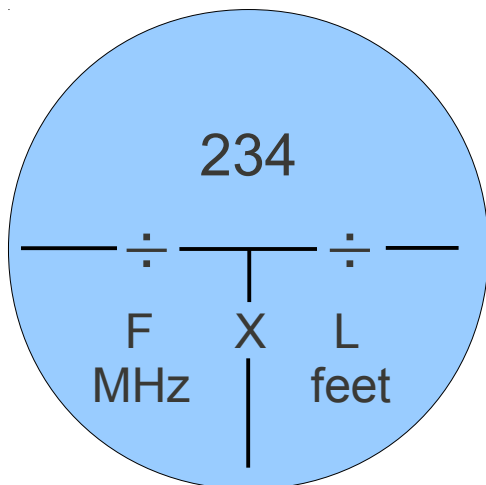
Power



Frequency - Wavelength



1/4 Wavelength Antenna



1/2 Wavelength Antenna

